



..... 2

..... 2

..... 2

..... 3

..... 3

..... 4

..... 5

..... 6

RS485 8

..... 11

..... 12

..... 13

..... 13

..... 14





XKC-Y28A-NO/NC/RS485

(D 10MM

RS485

1.XKC-Y28A-NO/NC/RS485

(D 10MM

2.

3.

4.

5.

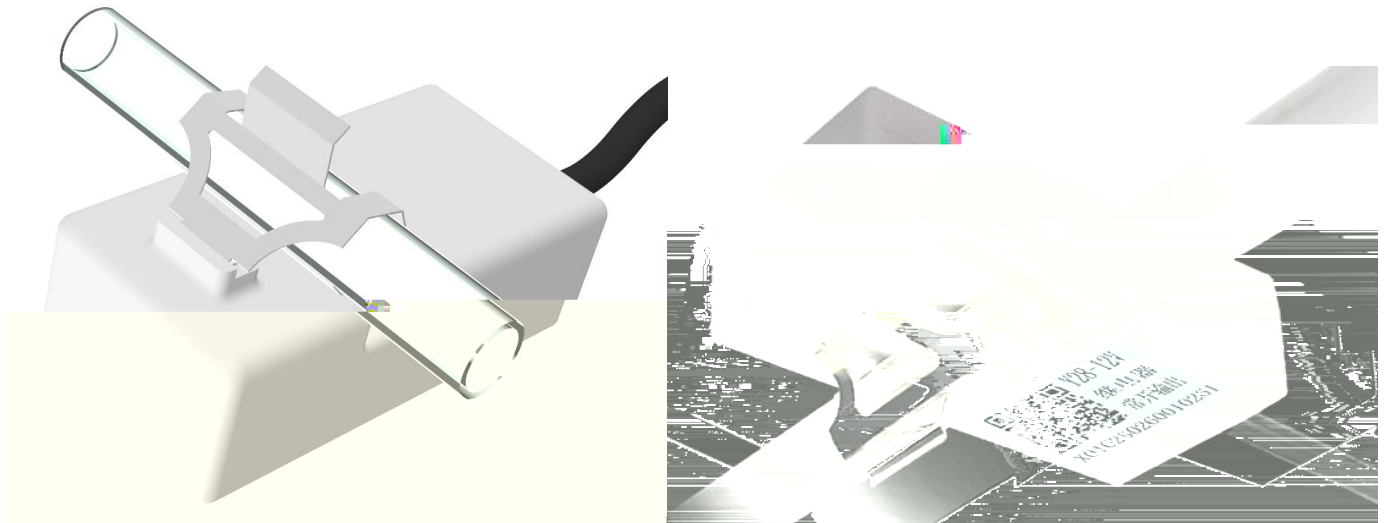
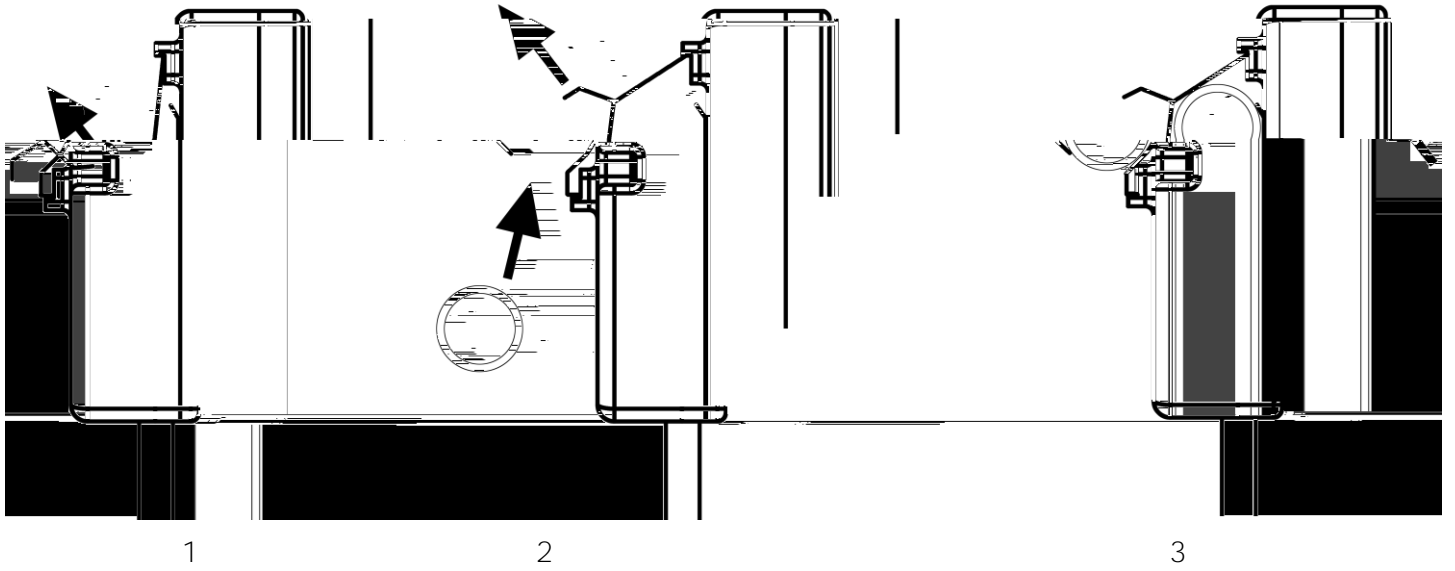
5V,12V,24V

6.



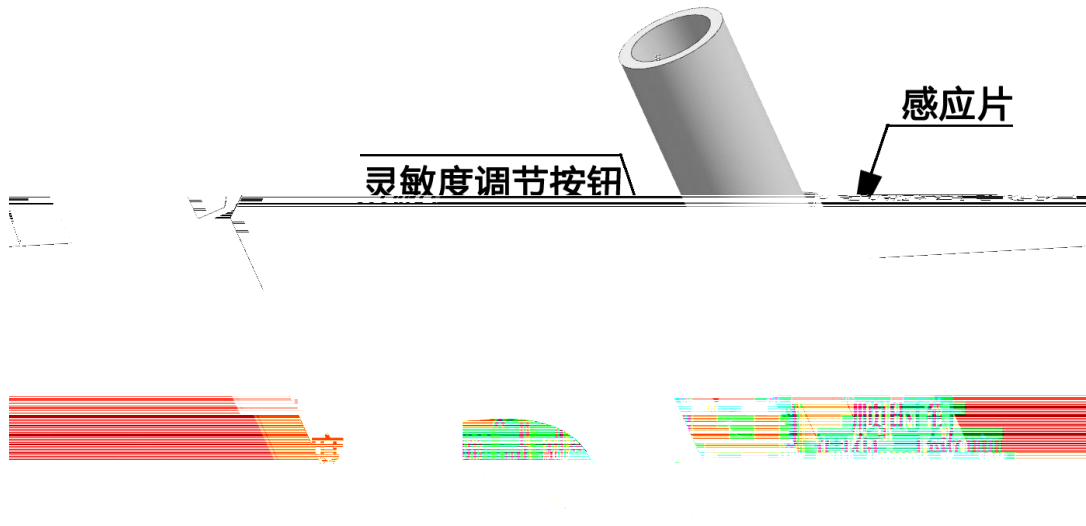
	XKC-Y28A-NC	XKC-Y28A-NO	XKC-Y28A-RS485
Vin	5V 12V 24V	5V 12V 24V	24V 12V
	13mA		
	DC24V/2A		
	500mS		
	-20~105		
	5-10 mm		
	± 1.5mm		
	5%~100%		
	500MM ± 10MM		
) COM)		
	PC-V0		
	IP67		
	CE		
	ROHS2.0		

XKC-Y28A-NO DC 5V DC 12V DC 24V -----
 XKC-Y28A-NC DC 5V DC 12V DC 24V -----
 XKC-Y28A-RS485 DC 24V (DC 5V-12V) ---- RS485



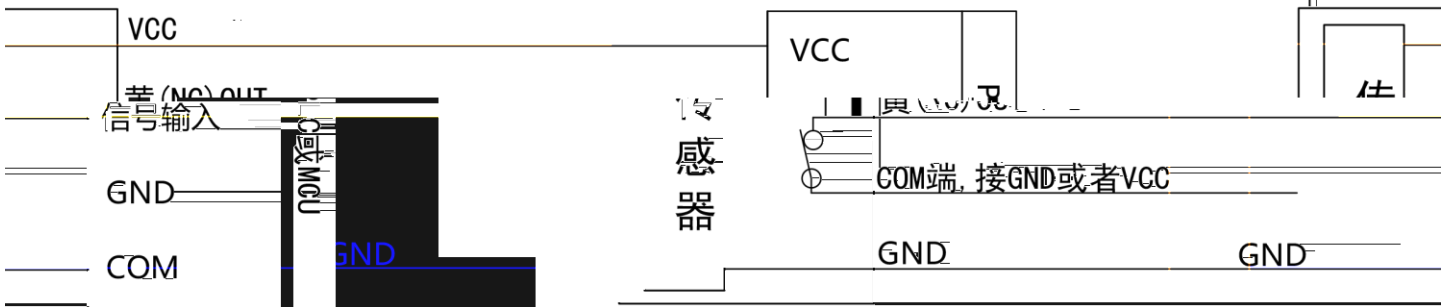
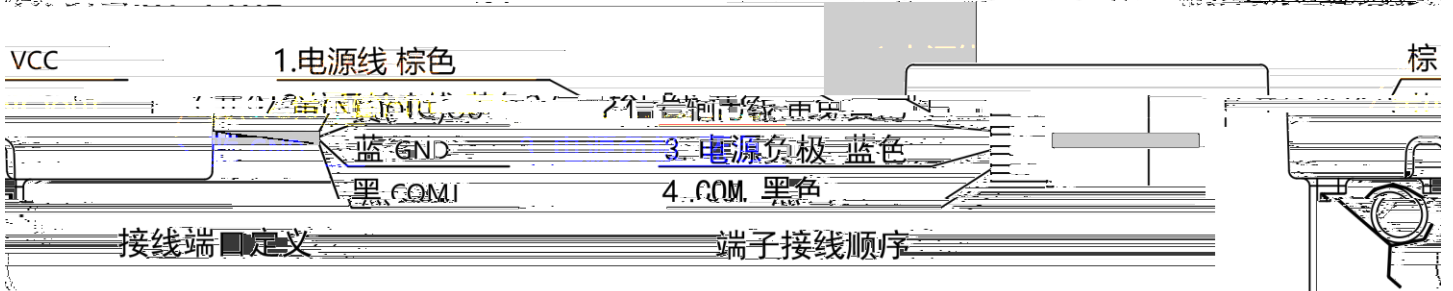
1 5mm 10mm 11mm

2 60°

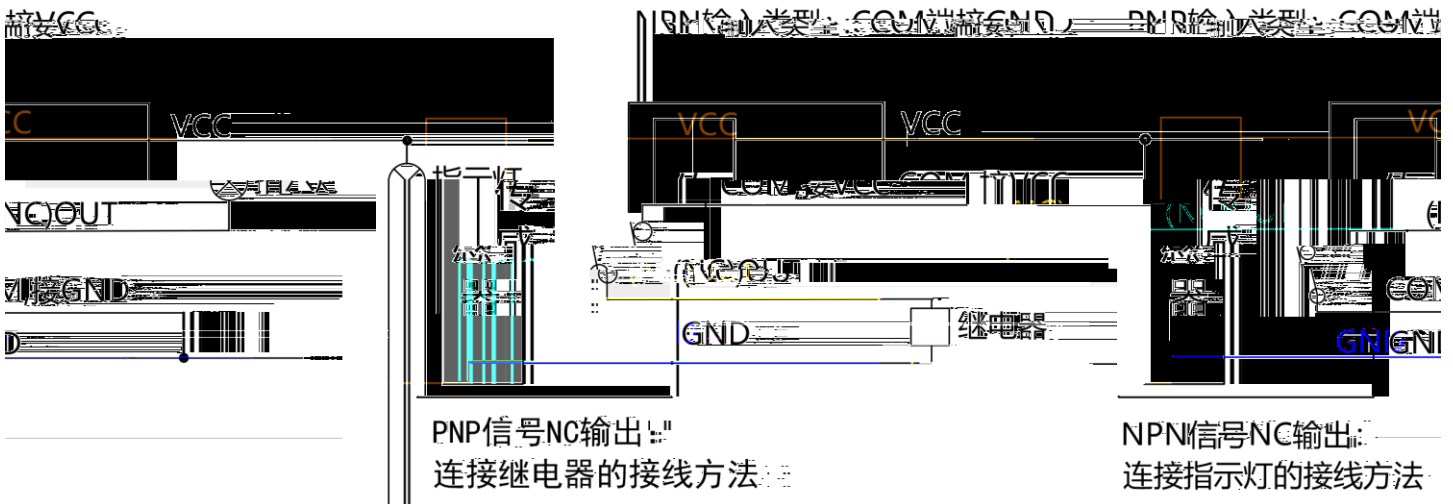




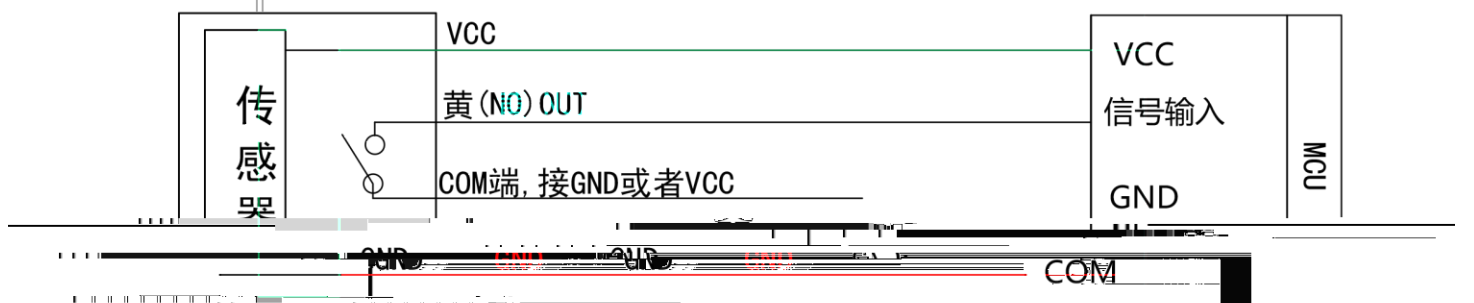
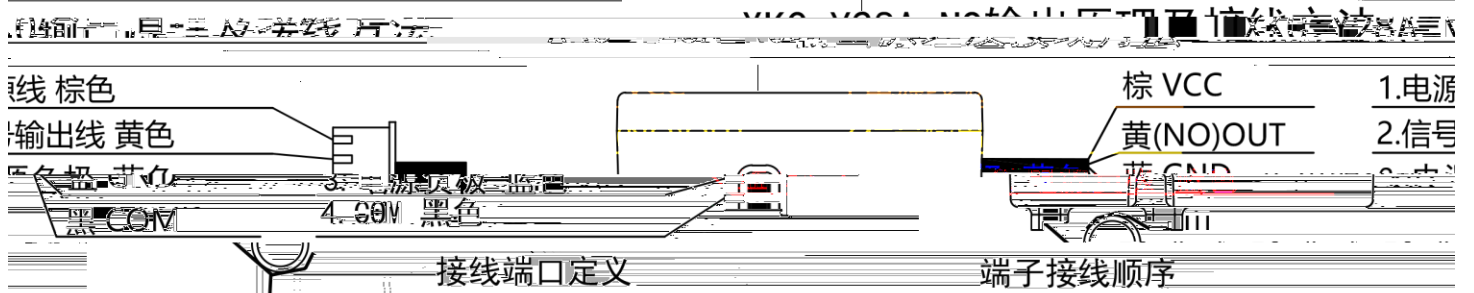
XKC-Y28A-NC输出原理及接线方法



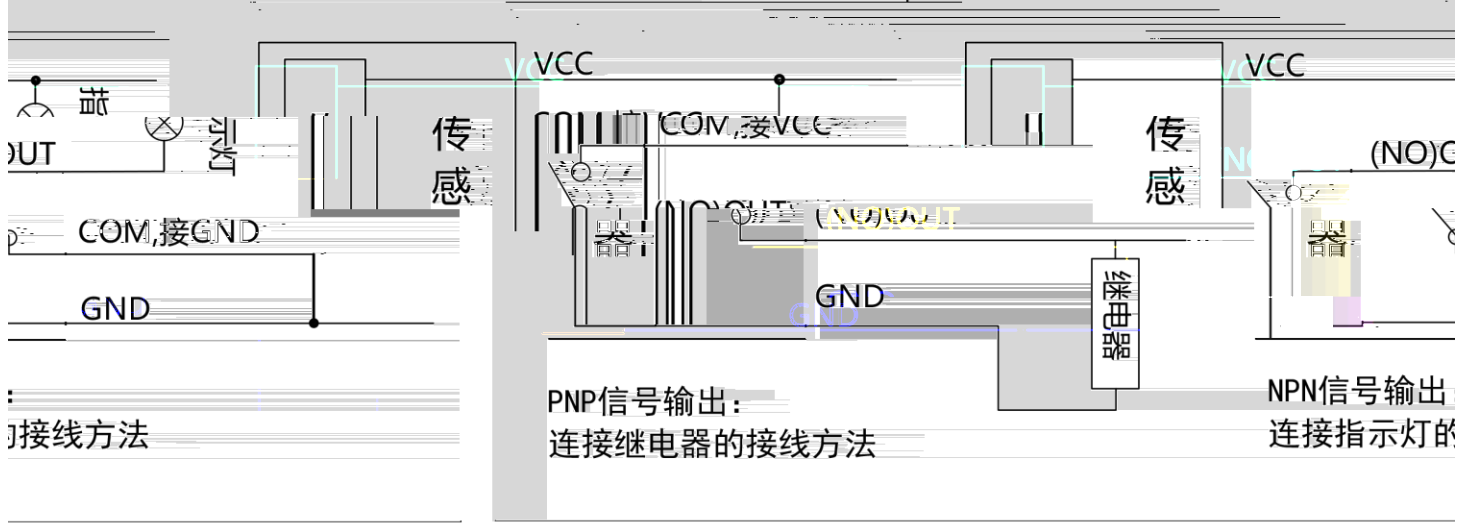
连接PLC或MCU的接线方法:



NC



或MCU接线方法:
 类型: COM端接GND 连接PLC NPN输入
 PNP输入类型: COM端接VCC



- | | | | | |
|----|-----|-----|----|-----|
| 1. | NO | VCC | NO | VCC |
| 2. | GND | | NO | |
| | | | NO | GND |
| | | | NO | |



RS485

DC24V 12V) (XKC-Y28A-RS485)

XKC-Y28A-RS485接线端子定义



RS-485

Modbus-RTU

9600

8

1

01 03 00 01 00 02 95 CB

1	2	3	4	5	6	7	8
ADR						CRC	CRC
01	03	00	01	00	02	95	CB

		/					
1	ADR		001	254			
2	03H						
3	4						
5	6		(1~5)				
7	8	1	6	CRC16	7	CRC	8
							CRC



	1	2	3	4	5	6	7	8	9
/	ADR					RSSI	RSSI	CRC	CRC
	01	03	04	00	01	10	04	A7	F0
	01	03	04	00	00	00	00	FA	33



1	2	3	4	5	6	7	8
ADR						CRC	CRC
01	06	00	05	00	07	D8	09

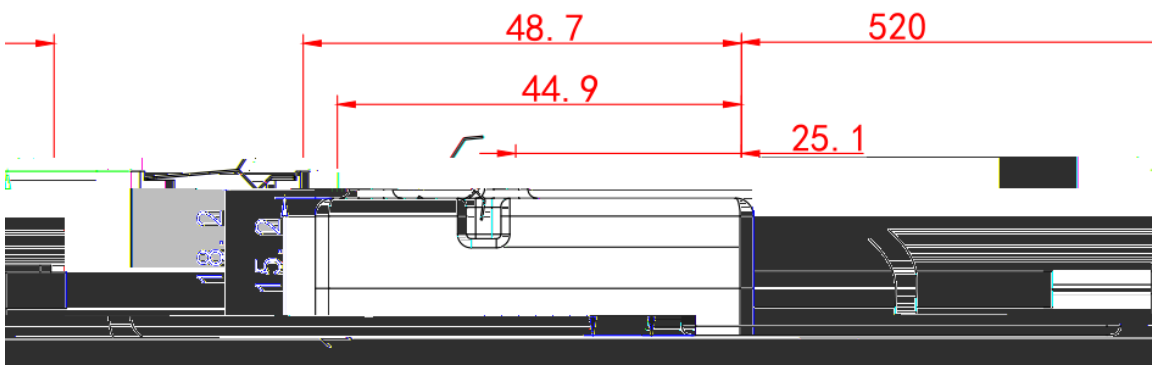
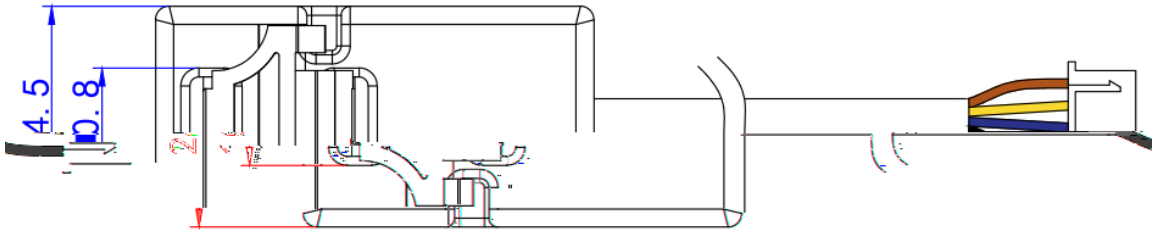
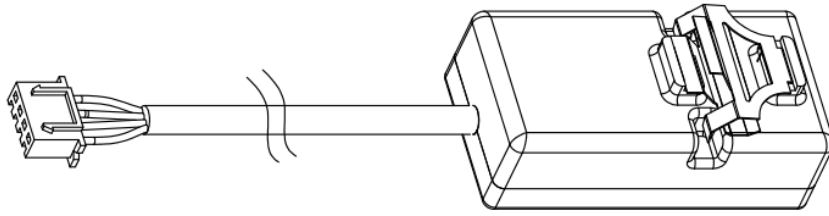
01	110
02	300
03	600
04	1200
05	2400
06	4800
07	9600
08	14400
09	19200
0A	28800
0B	38400
0C	57600
0D	115200
0E	128000
0F	256000

1	2	3	4	5	6	7	8
ADR						CRC	CRC
FF	06	00	04	00	02	5C	14



1	0000	00 00	
2	0001	00 00	<p>OutPut</p> <p>OutPut = 0000</p> <p>OutPut = 0001</p>
3	0002	00 00	<p>RSSI</p> <p>RSSI<3900 OutPut = 0000</p> <p>RSSI>4100 OutPut = 0001</p> <p>4100>RSSI>3900 , OutPut</p>
4	0003	00 01	<p>Addr 001 254</p>
5	0004	00 07	





1. <math>< 10\text{mPaS}</math> <math>< 30\text{mPaS}</math>
- 2.
- 3.
- 4.
- 5.



Shenzhen XingKeChuang Technology Co., Ltd.





),
()

/ : ,
7

12

()
DOA ,

()

1. ()

2. ,

3.

4.

5. /

(

V16	2020-10-16