

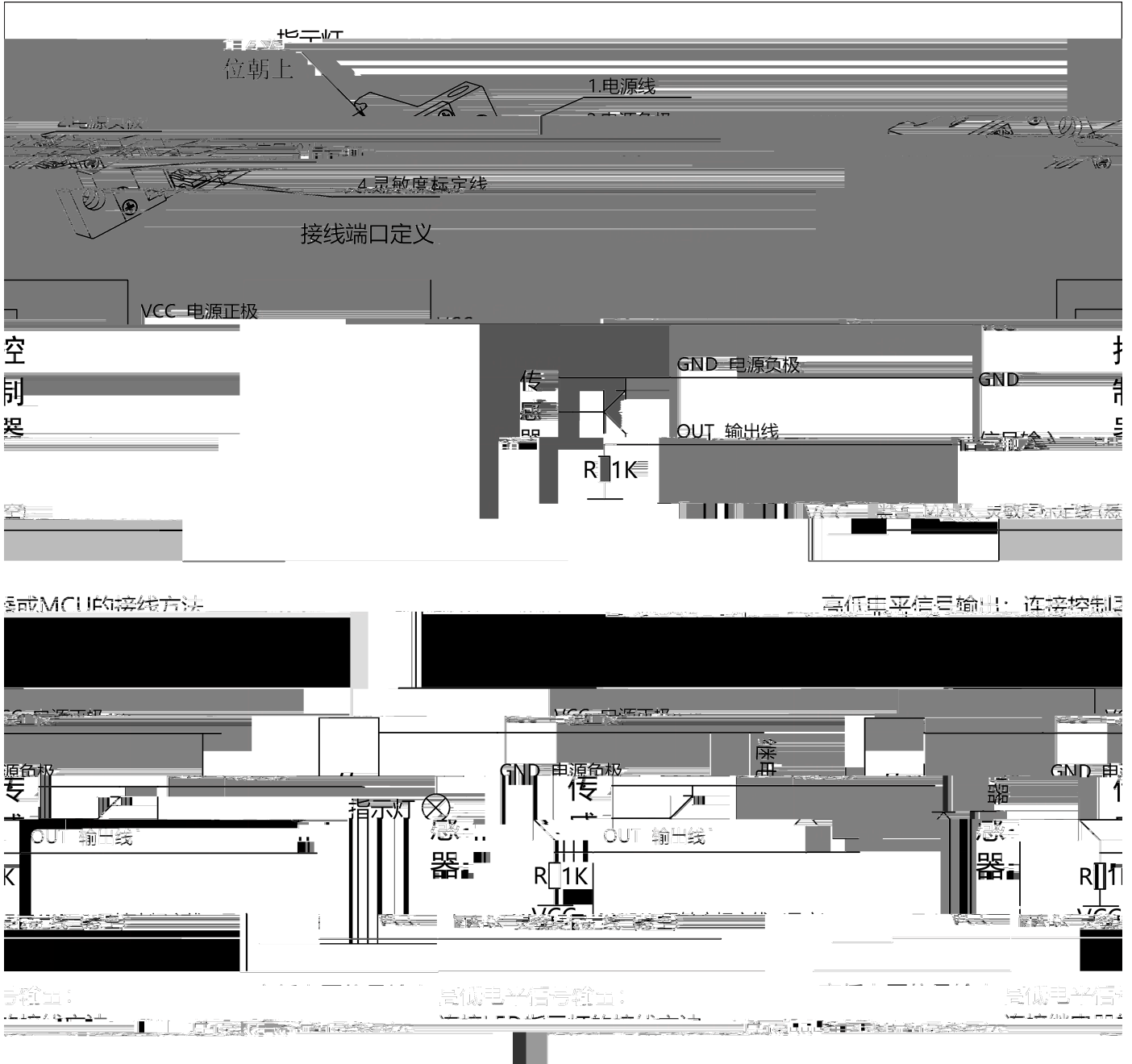
.....	2
.....	2
.....	2
.....	3
4.1 XKC-Y27B-Dx-V	3
4.2 XKC-Y27B-Dx-NPN	4
.....	5
.....	5
.....	6
.....	6
.....	6
(.....).....	6
.....	7
.....	8
.....	8
.....	9
.....	10





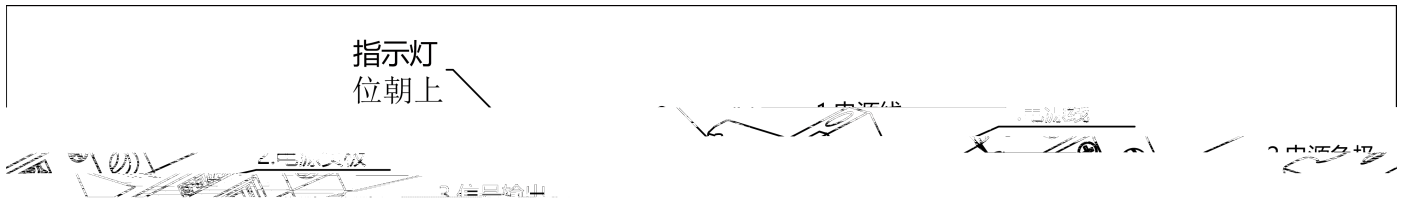
Shenzhen XingKeChuang Technology Co., Ltd.

4.1 XKC-Y27B-Dx-V



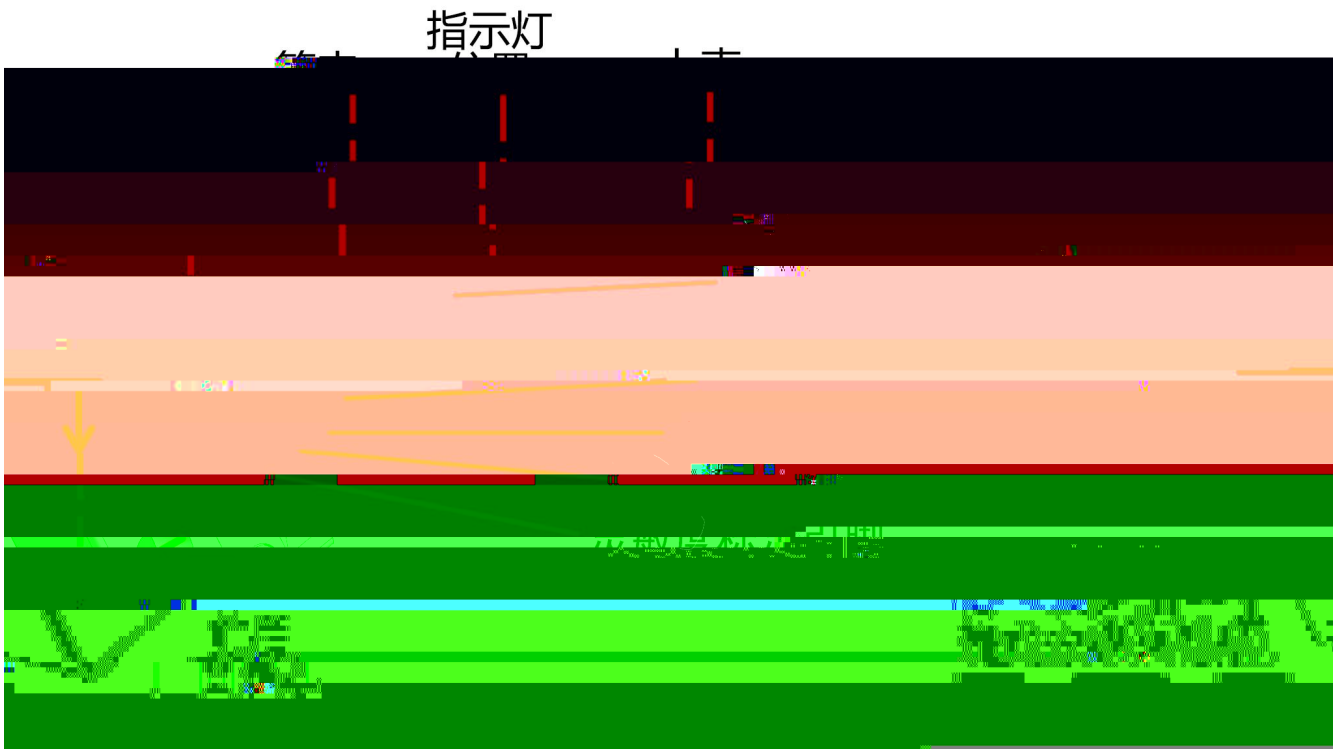
(100mA)

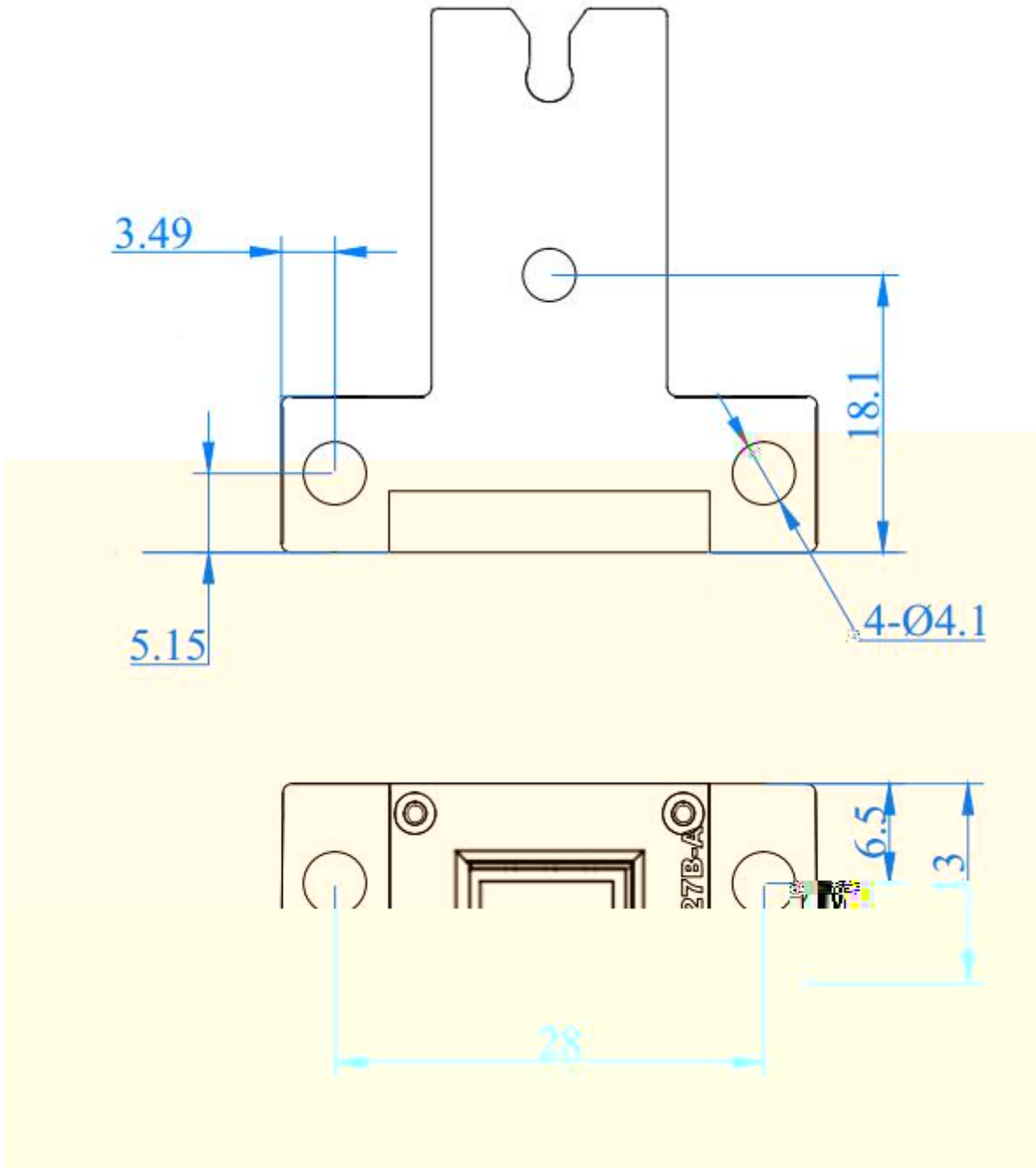
4.2 XKC-Y27B-Dx-NPN

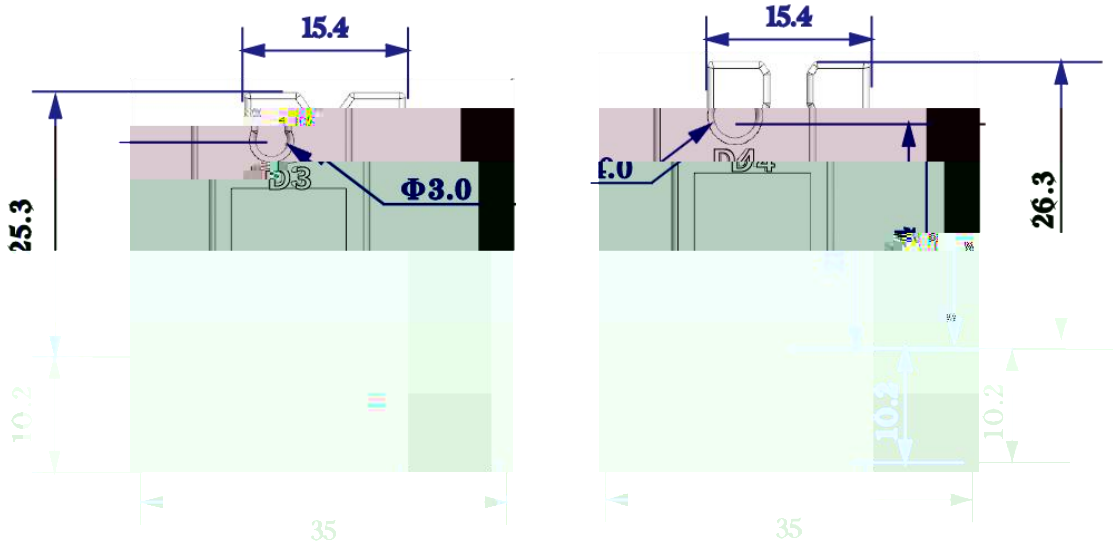


NPN (100mA)

1	XKC-Y27B-D3-V		3mm
2	XKC-Y27B-D3-NPN	NPN	
3	XKC-Y27B-D4-V		4mm
4	XKC-Y27B-D4-NPN	NPN	
5	XKC-Y27B-D6-V		6mm
6	XKC-Y27B-D6-NPN	NPN	
7	XKC-Y27B-D8-V		8mm
8	XKC-Y27B-D8-NPN	NPN	
9	XKC-Y27B-D10-V		10mm
10	XKC-Y27B-D10-NPN	NPN	

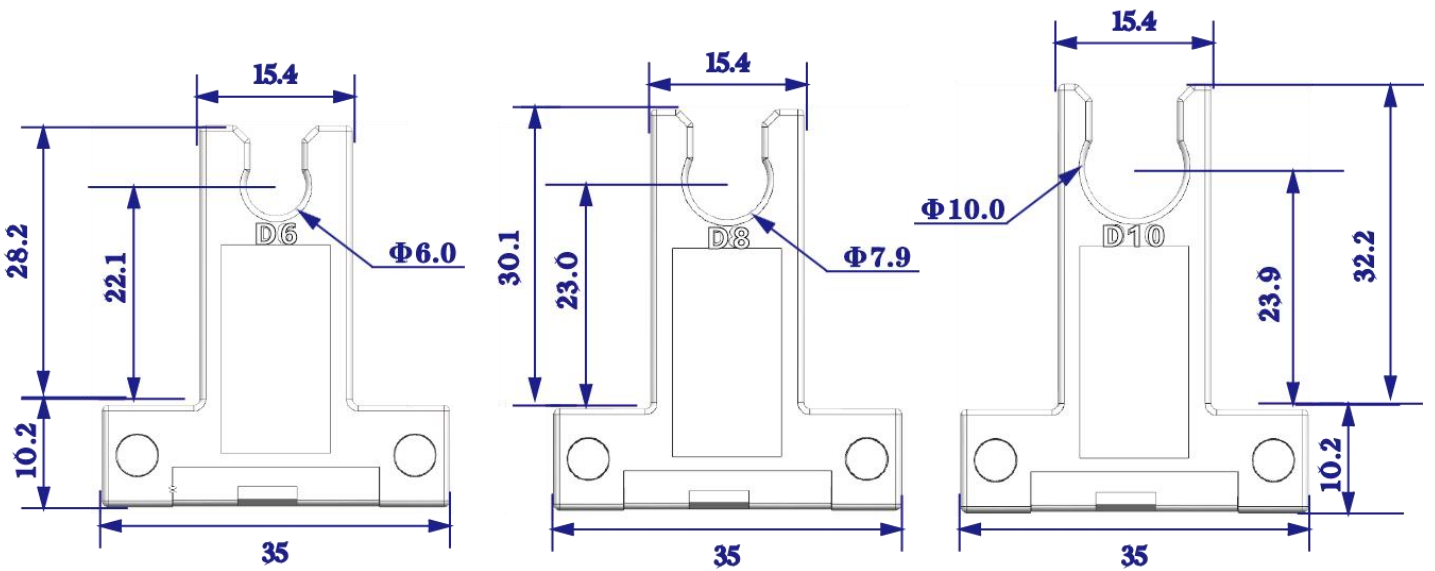






XKC-Y27B-D3

XKC-Y27B-D4



XKC-Y27B-D6

XKC-Y27B-D8

XKC-Y27B-D10

:

1.

<10mPaS

10mPaS<

<30mPaS

>30mPaS

2.

3.

4.

5.

6.

()

1. : , ,

2. DOA ; 7

DOA ; () ;

()

1. / /

2.

3.)

()

()

, () , (),

()

/ : , 12 (DOA ,)

7

()

1. ()

2. ,

3.

4.

5. /

(

,

V12	2022-10-26

/